

For filtering out solid impurities larger than 0.3 µm.

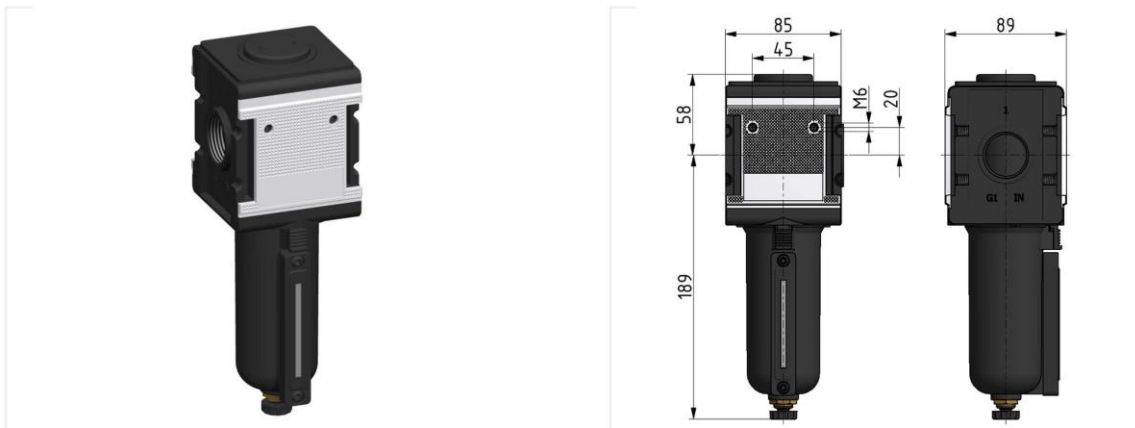
| | |
|---------------------------|--|
| Max. input pressure: | 20 bar |
| Max. medium temperature: | 60 °C |
| Max. ambient temperature: | 60 °C |
| Drain vale: | Semi-automatic |
| Sealant: | NBR |
| Flow rate measurement: | At $P_1 = 6$ bar and pressure drop $\Delta p = 0.02$ bar |
| Filter rating: | 0.3 µm |
| Efficiency: | 99.999 % |
| Filter element: | Paper-POM |

Pre-filter with metal bowl

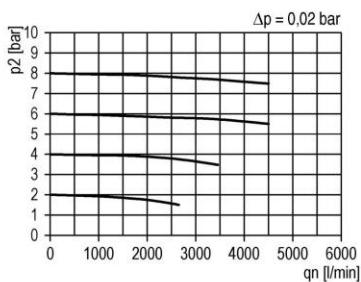
| Art. No. | Type No. | Thread | Housing | Flow rate l/min | Size | DN |
|----------|----------|--------|--------------------|--------------------|------|----|
| 133118 | FV 45 M | G 1 | Die-cast aluminium | 2000 | 4 | 25 |

Accessories / spare parts

| Art. No. | Type No. | Description |
|----------|-------------|--|
| 135858 | ZW 45 | Mounting bracket with 2 screws |
| 135857 | KP 45 | Coupler pack for modular assembly of several devices |
| 135859 | KSS 45 F-HA | Polycarbonate bowl, Bowl guard with semi-automatic draining |
| 135860 | KSS 45 F-A | Polycarbonate bowl, Bowl guard with fully automatic draining |
| 135861 | MS 45 FS | Metal bowl with sight glass and semi-automatic draining |
| 135862 | MS 45 FS-A | Metal bowl with sight glass and fully automatic draining |
| 100362 | 655.6.900 | Automatic drain valve |
| 100174 | V 864/04 | Filter element (paper-aluminium) |



flow characteristic



symbol

